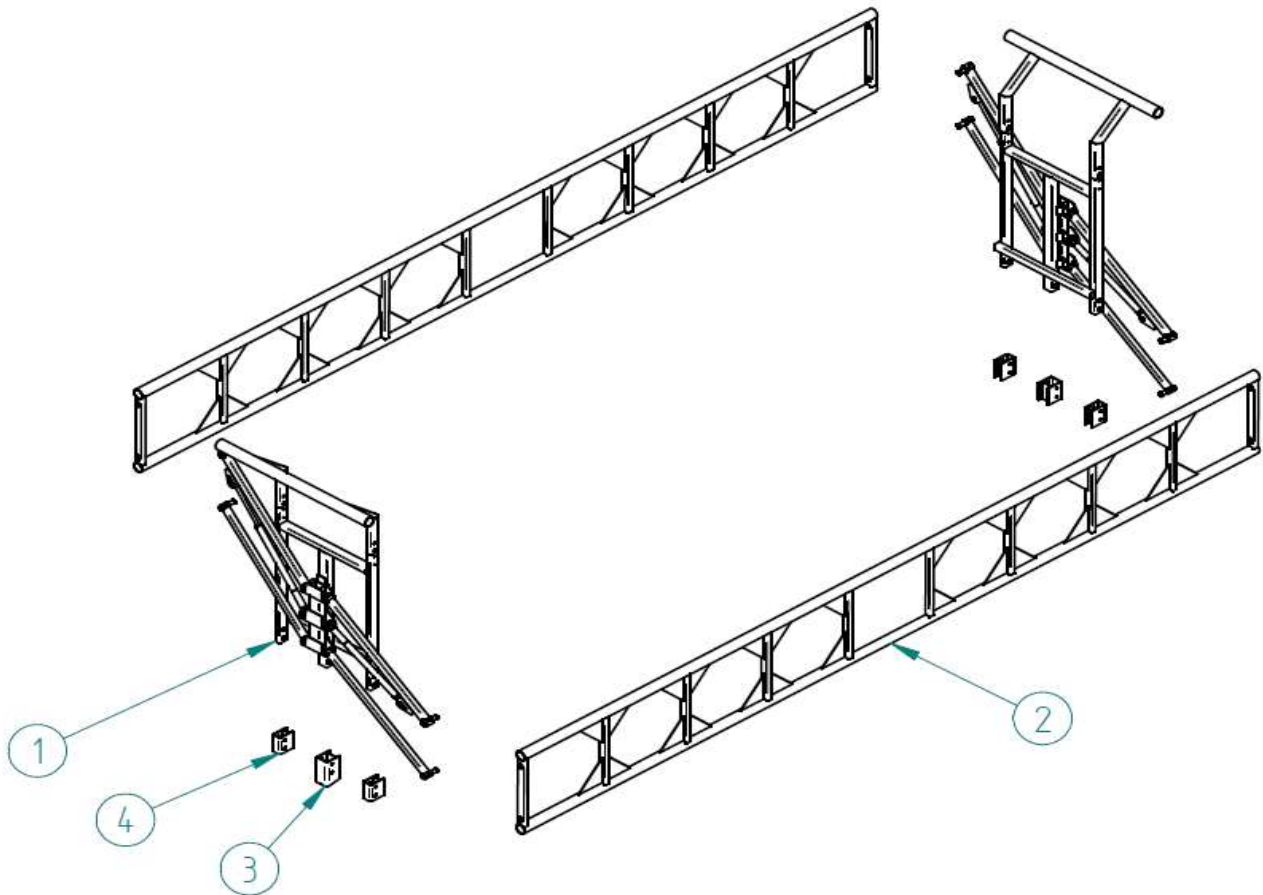
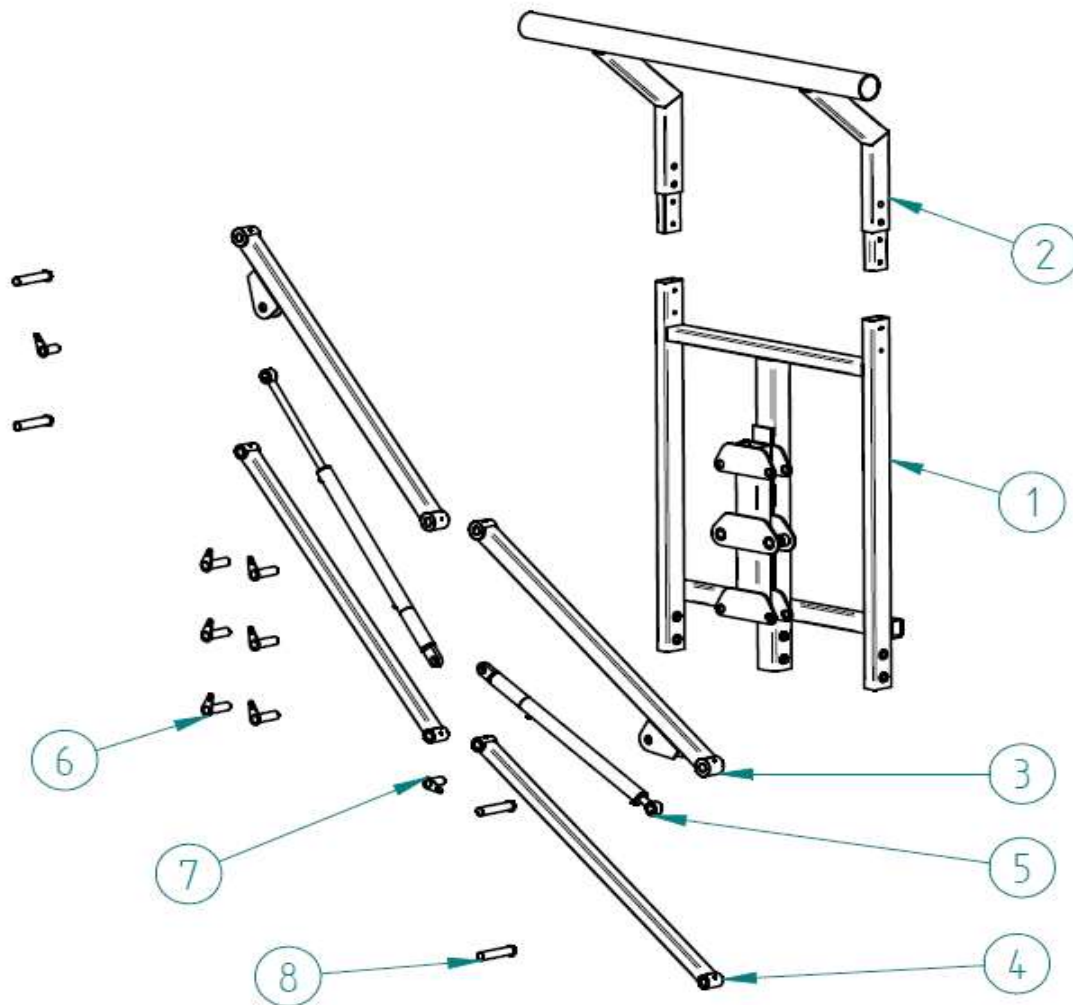


**Spare Parts List: RPHBFX000**
**Main Parts:**





Item	Qty	Code	Description	Comments
1	2	RPHBFX000.01.00	Front/Rear Stilt	-
2	2	RPHBFX000.02.00	Side	-
3	2	RPHBFX000.02.01	Mounting Bracket Wide	Set Depends on the type of drawbar / Welded on platform
4	4	RPHBFX000.02.02	Mounting Bracket Narrow	Welded on platform

Spare Parts List: RPHBFX000  
 Front/Rear Stilt:



Item	Qty	Code	Description	Comments
1	2	RPHBFX000.01.01	Lower Part	-
2	2	RPHBFX000.01.02	Upper Part	-
3	4	RPHBFX000.01.03	Upper Lever	-
4	4	RPHBFX000.01.04	Lower Lever	-
5	4	RPHBFX000.01.05	Hydraulic Cylinder	-
6	12	RPHBFX000.01.06	Lever Pin	-
7	4	RPHBFX000.01.07	Hydraulic Cylinder Pin	-
8	8	RPHBFX000.01.08	Side Pin	-

**Spare Parts List: RPHBFX000**
**Hydraulic System Parts:**

Image	Qty	Code	Description	Comments
	1	RPHBFX000.00.01	Hydraulic Hose Set With Fittings	Hydraulic hose set with fittings for hydraulic bale fixation
	2	RPHBFX000.00.02	Hydraulic Coupling (Male)	-
	2	RPHBFX000.00.03	Flow Divider	-